

Load base (rubber foot) with ball-shaped head for optimal load input

for nominal loads from 100 kg up to 10.000 kg



Description

Load cell supports are designed to prevent unwanted forces from affecting load cell performance.

The type AZK01X720 is a self aligning rubber foot, combining excellent load introduction with low profile design.

It is the technical and economical excellent solution for i.e. single point scales.

Especially designed for: F3270, F3271, F3272.

Features

- Load input with pocket hole
- Low installation height
- Ease of assembly
- Specially for platform weighing machines
- Approved for weighing machines that are appropriate for verification
- No additional guiders or limit stops required
- Height-adjustable by means of discs
- Flat version available

Accessories

- Fixing plate

Measuring ranges

- for nominal loads from 100 kg ... 10.000 kg

Applications

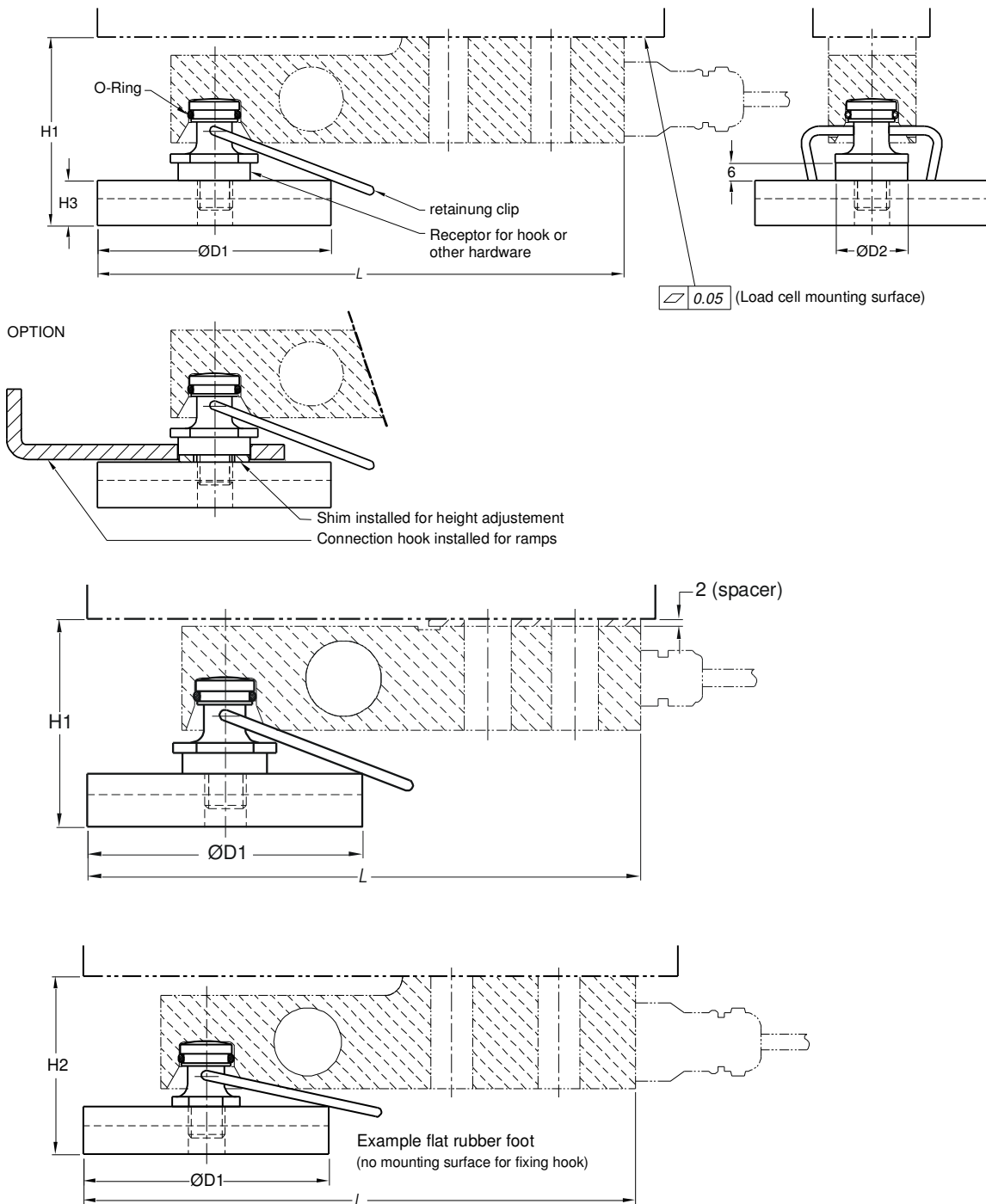
- Can be used with force transducers:
F3270,
F3271,
F3272

Material

- Stainless steel

Model: AZK01X720

Dimensions



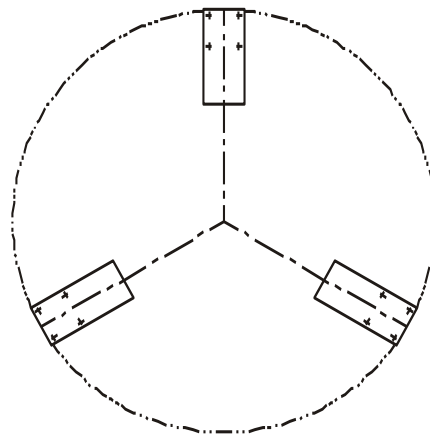
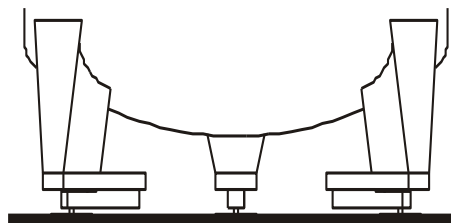
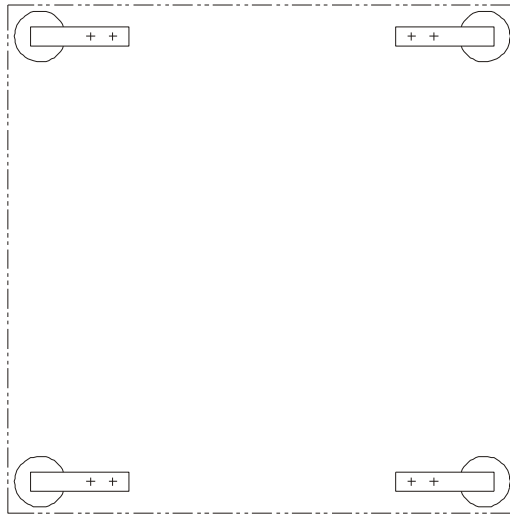
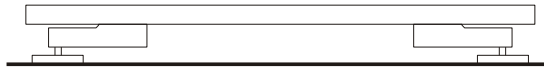
Load cell type	Capacity in kg	L	H1	H2	H3	D1	D2
F3271-5 kN/10 kN/20 kN	510/1020/2039	180	65	58	16	80	24.5
F3271-50 kN	5099	219	90	--	18	100	34.5
F3271-100 kN**	10179	278	109	--	26	125	44
F3272-500 lb/1 klb	227/454	164	60	53	16	80	24.5
F3272-2.5 klb/5 klb	1134/2268	164	62*	55*	16	80	24.5
F3270-200 lb/500 lb	91/227	154	61*	54*	16	60	24.5
F3270-1 klb/2.5 klb/5 klb	454/1134/2268	164	61*	54*	16	80	24.5

* including distance plate

** Special clip available

All dimensions in mm. Dimensions and specifications are subject to change without prior notice.

Examples



Subject to technical changes

AE 935 c

p. 3 / 3